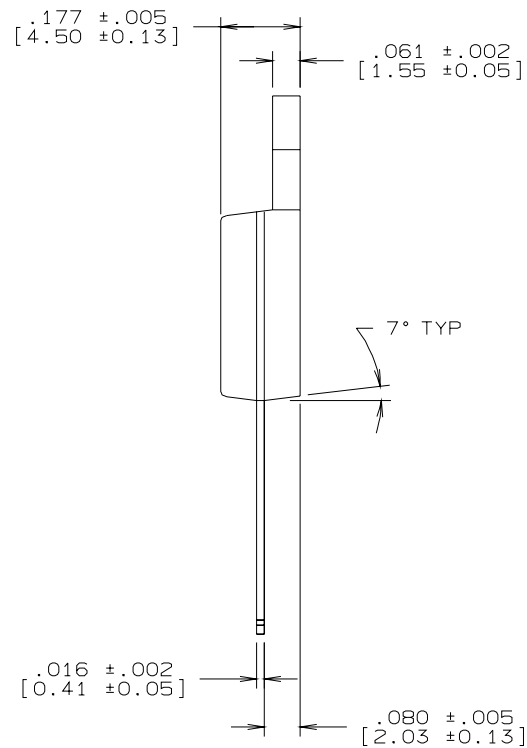


NOTES: UNLESS OTHERWISE SPECIFIED

- STANDARD LEAD FINISH 200 MICRONS/5.08 MICROMETERS MINIMUM LEAD/TIN (SOLDER) ON OLIN 194 OR EQUIVALENT.
- NO JEDEC REGISTRATION AS OF 02-10-93.

REVISIONS				
LTR	DESCRIPTION	E.C.N.	DATE	BY/APP'D
A	RELEASE TO DOCUMENT CONTROL	09536	02/10/93	KES/



CONTROLLING DIMENSION: INCH				
APPROVALS	DATE	NATIONAL SEMICONDUCTOR CORPORATION 2900 Semiconductor Drive, Santa Clara, CA 95052-8090		
DRAWN <i>Nut Sincerox</i>	02/10/93	TO-220, MOLDED, 15 LEAD		
DFTG. CHK.				
ENGR. CHK.				
APPROVAL		SCALE	SIZE	DRAWING NUMBER
		N/A	B	MKT-TA15B
PROJECTION INCH [MM]		DO NOT SCALE DRAWING	SHEET 1 OF 1	REV A