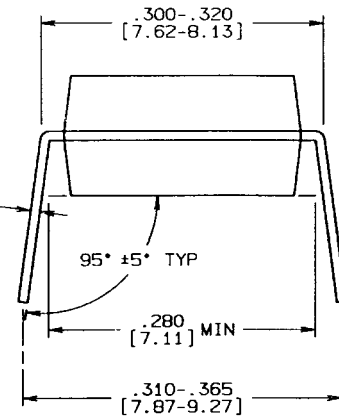
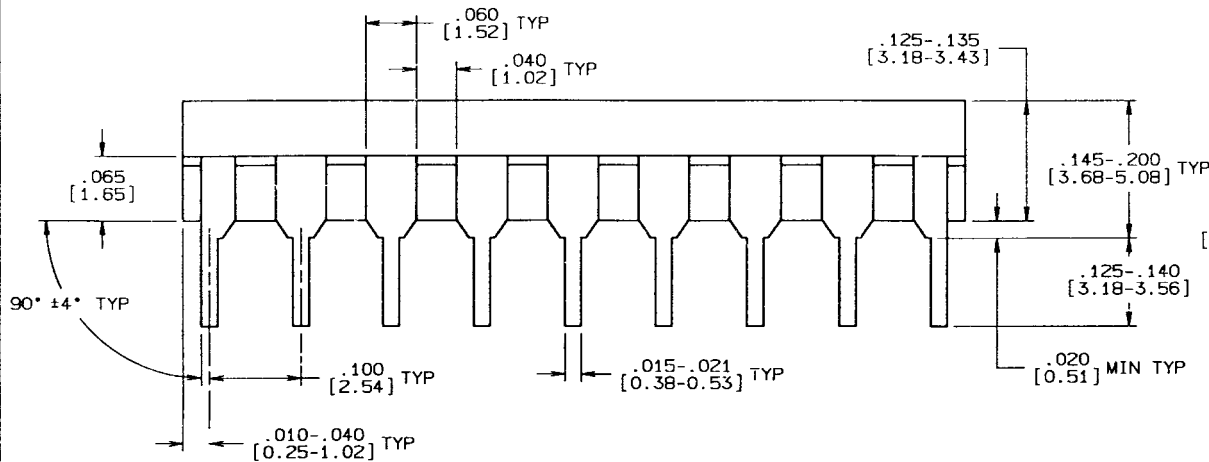
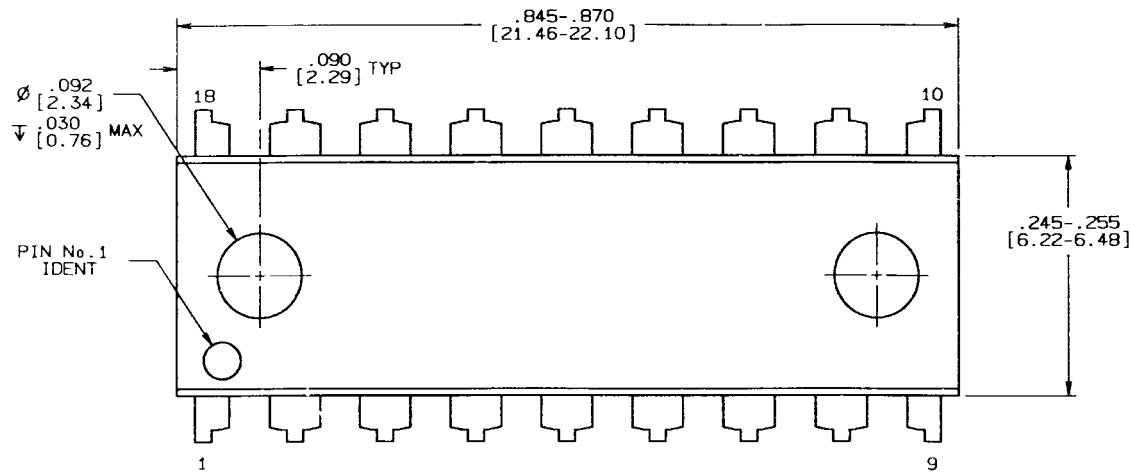


REVISIONS				
LTR	DESCRIPTION	E.C.N.	DATE	BY/APP'D
F	REDRAW PER E.C.N.	09566	03/10/93	DEG/04



NOTES: UNLESS OTHERWISE SPECIFIED

- STANDARD LEAD FINISH:  
200 MICROINCHES / 5.08 MICROMETERS MINIMUM  
LEAD/TIN 37/63 OR 15/85 ON ALLOY 42 OR EQUIVALENT OR COPPER.
- JEDEC REGISTRATION MO-095, OPTION AD, PUBLICATION 95 (9/89).

CONTROLLING DIMENSION: INCH

APPROVALS	DATE	NATIONAL SEMICONDUCTOR CORPORATION			
DRAWN D. E. GRADY	03/10/93	2900 Semiconductor Drive, Santa Clara, CA 95052-8090			
DFTS. CHR. <i>[Signature]</i>	3/15/93	MOLDED DIP, 18 LEAD, .300 CENTER			
ENGR. CHR. <i>[Signature]</i>	3/15/93				
APPROVAL		SCALE N/A	SIZE C	DRAWING NUMBER MKT-N18A	REV F
		DO NOT SCALE DRAWING SHEET 1 OF 1			